

REV.0

Figure 1. AD9887A Evaluation Board Schematic

Information furnished by Analog Devices is believed to be accurate and reliable. However, no responsibility is assumed by Analog Devices for its use, nor for any infringements of patents or other rights of third parties that may result from its use. No license is granted by implication or otherwise under any patent or patent rights of Analog Devices. Trademarks and registered trademarks are the property of their respective owners.

EVAL-AD9887A

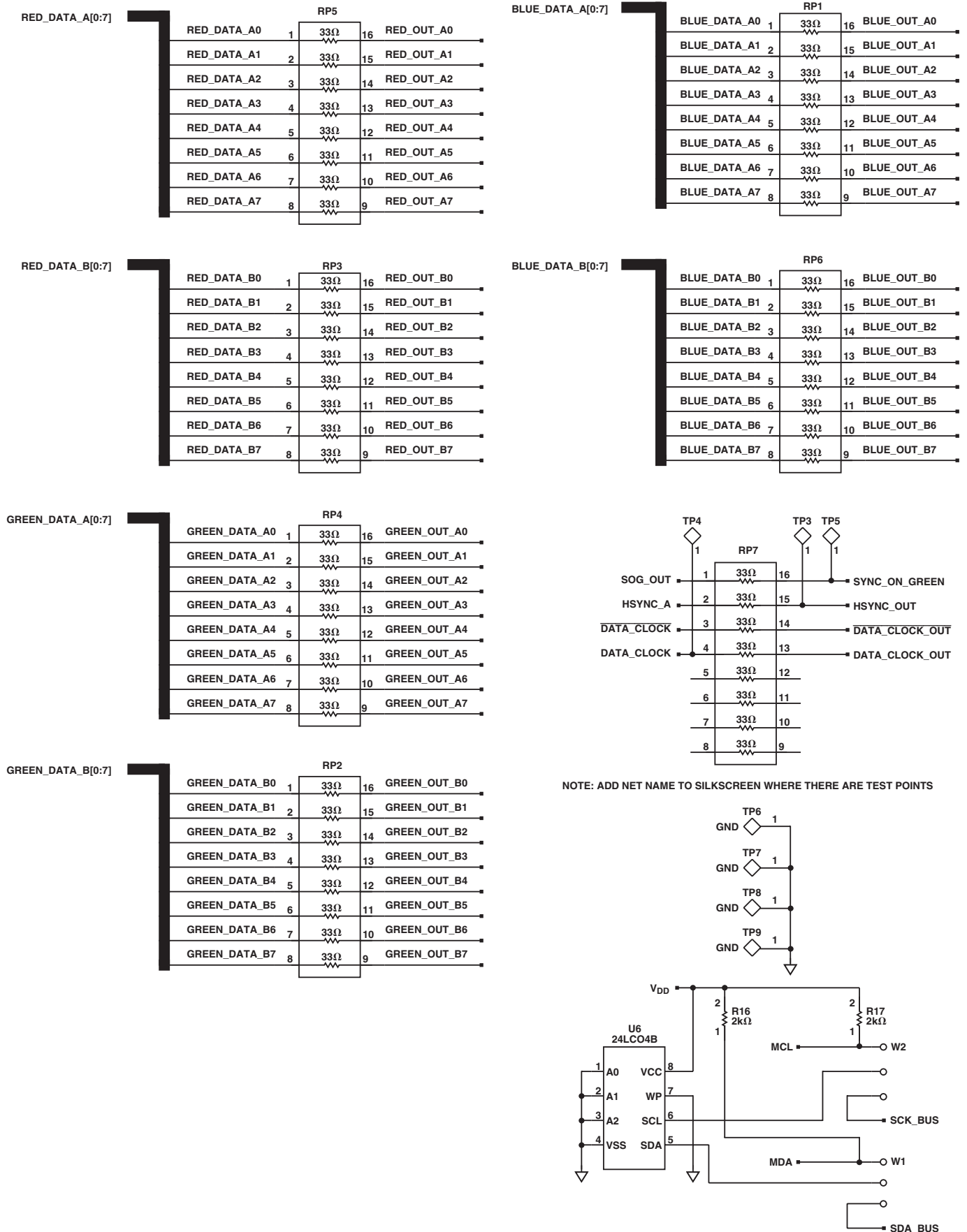


Figure 2. AD9887A Evaluation Board Schematic

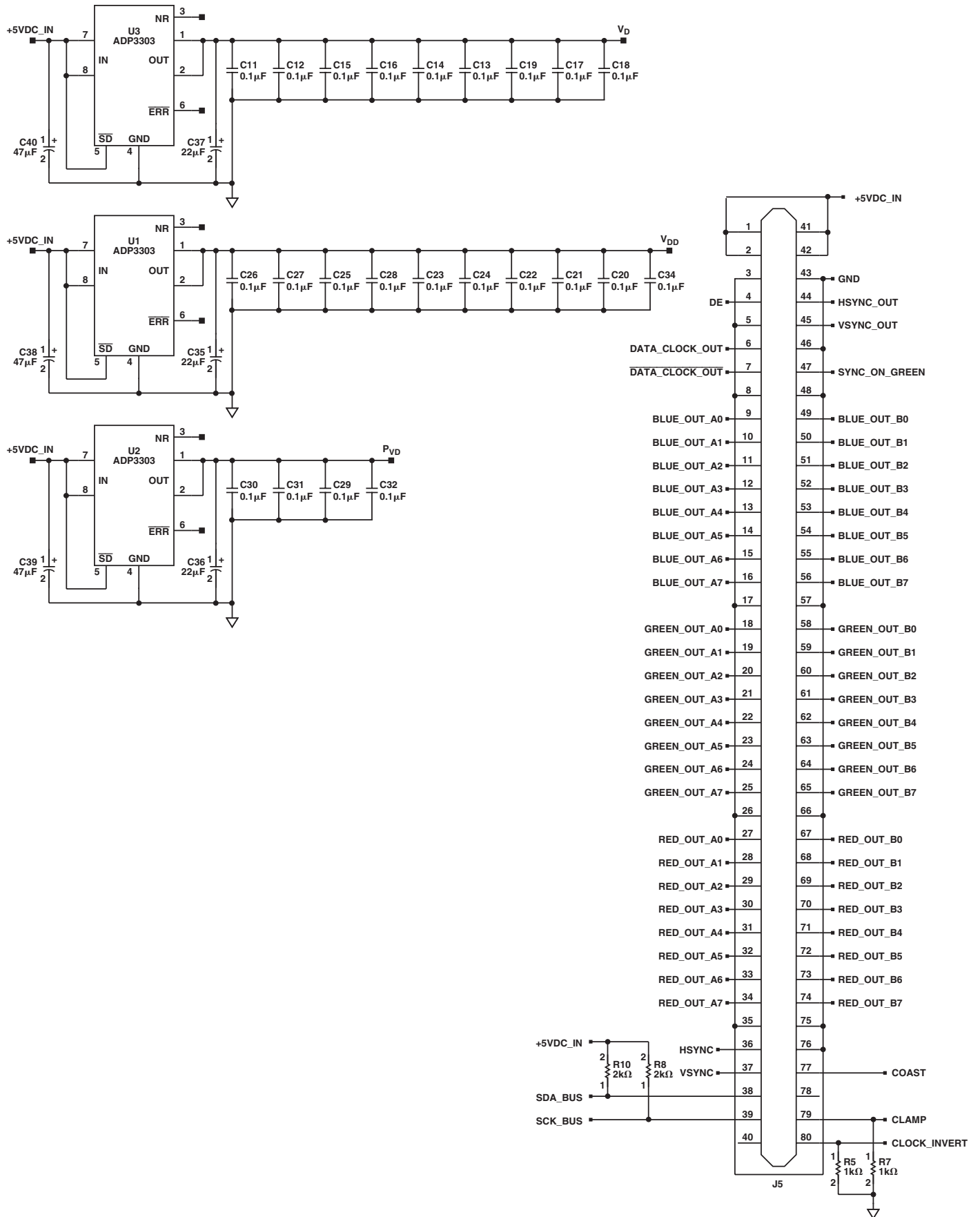


Figure 3. AD9887A Evaluation Board Schematic

EVAL-AD9887A

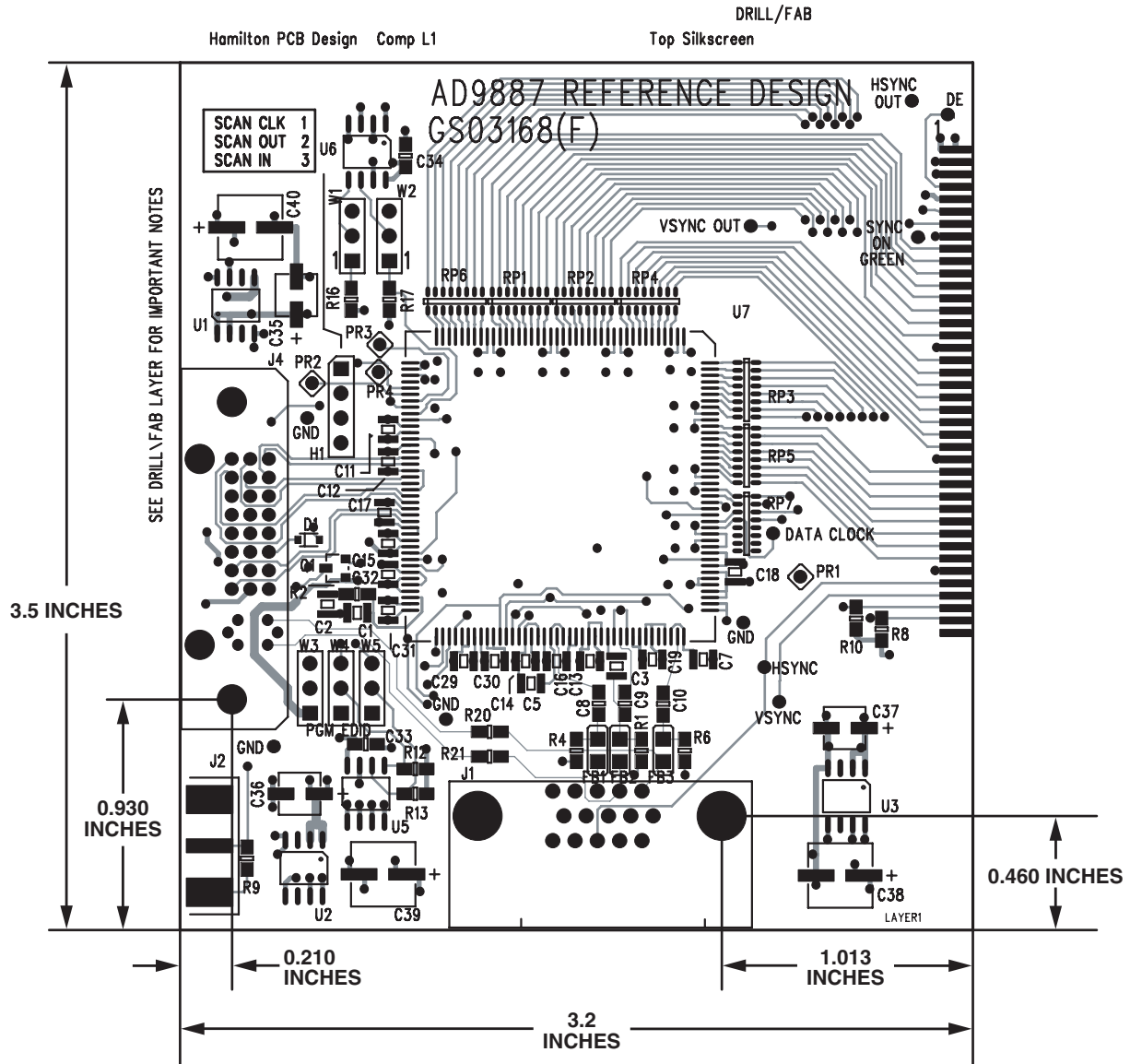


Figure 4. AD9887A Evaluation Board Layout

Hamilton PCB Design Sig L2

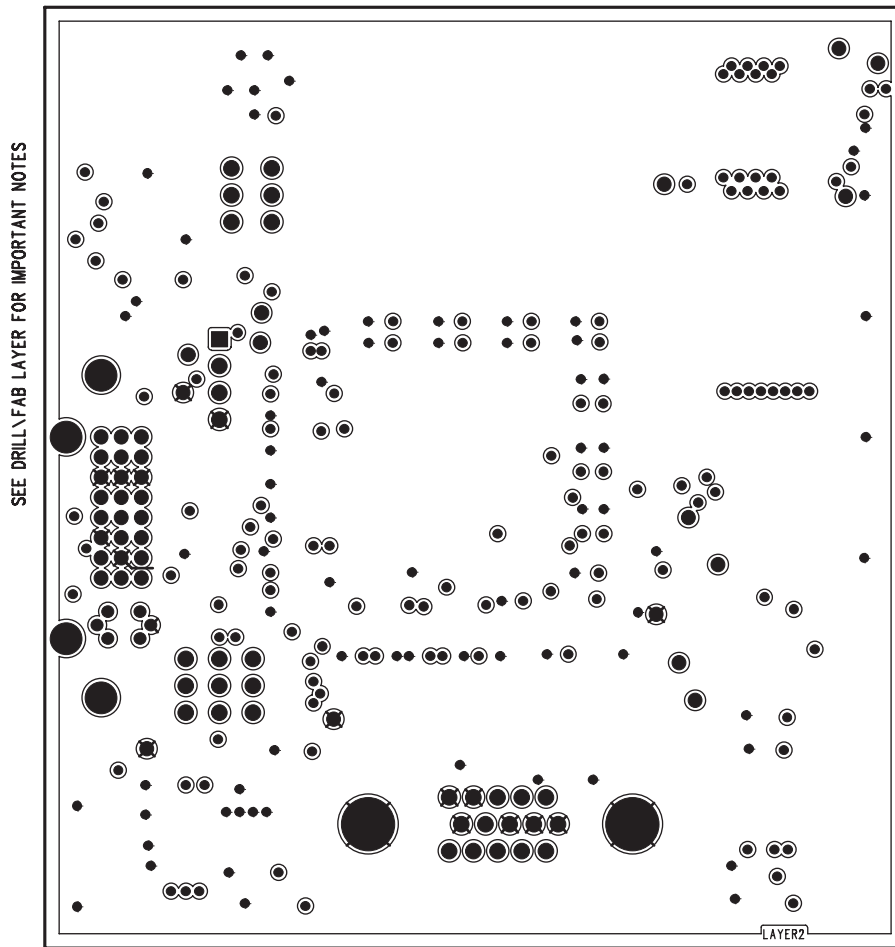


Figure 5. AD9887A Evaluation Board Layout

EVAL-AD9887A

Hamilton PCB Design

Sig L3

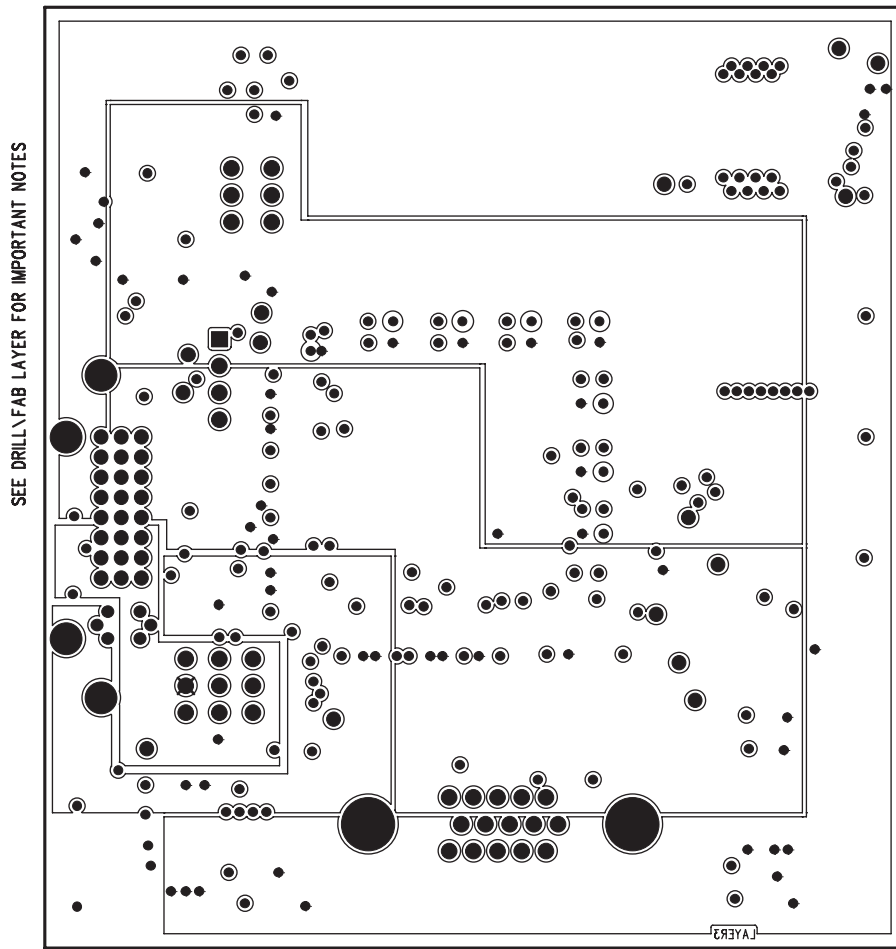


Figure 6. AD9887A Evaluation Board Layout

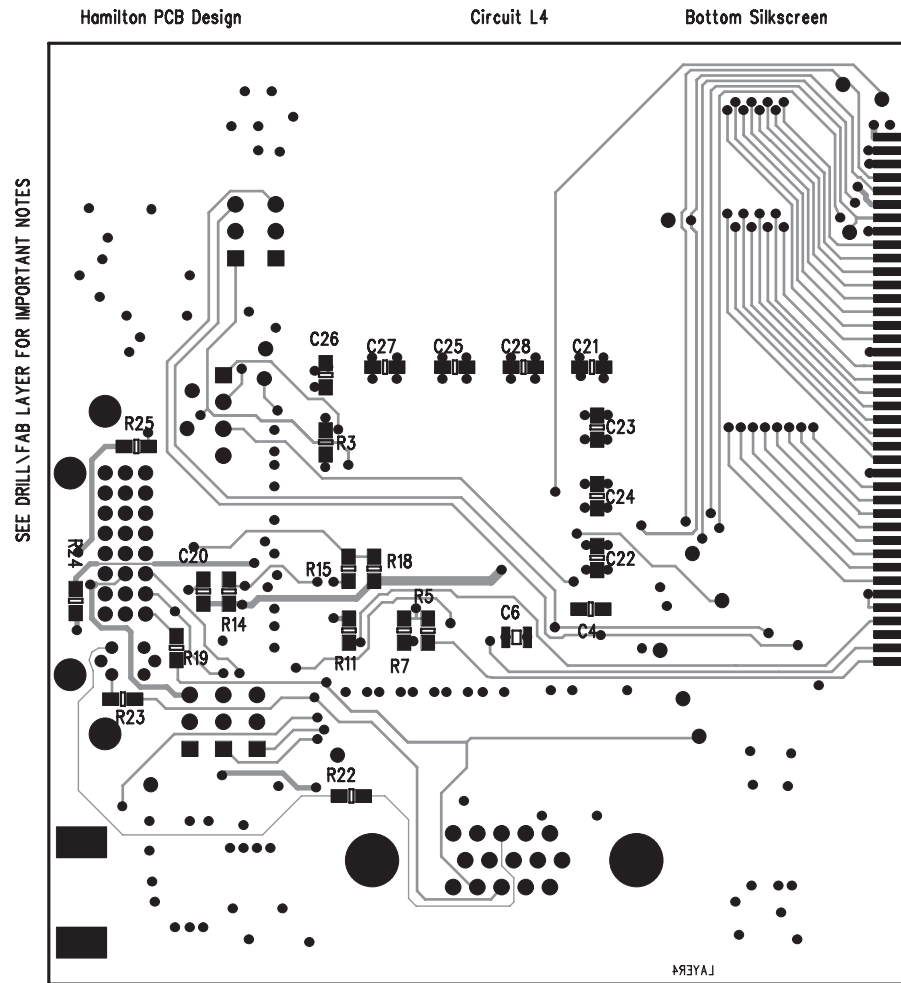


Figure 7. AD9887A Evaluation Board Layout

